

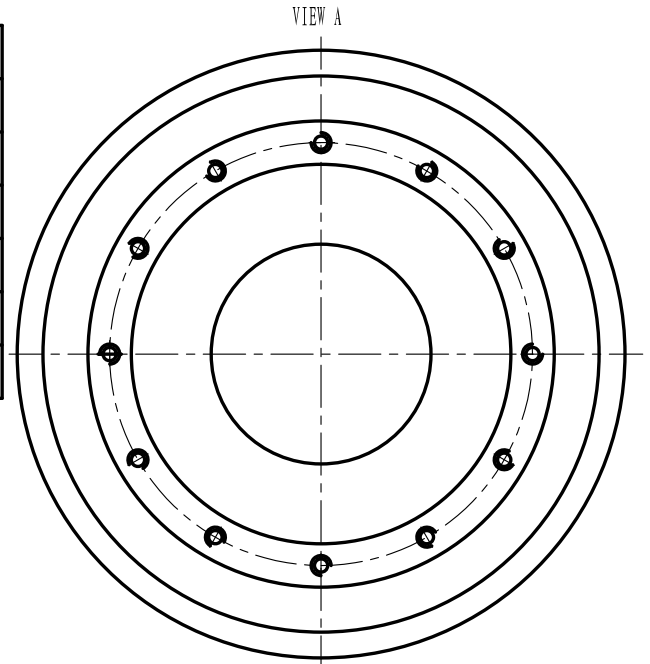


Data-Sheet-Fixed Capacitor
CKT1000/35/350 (I)



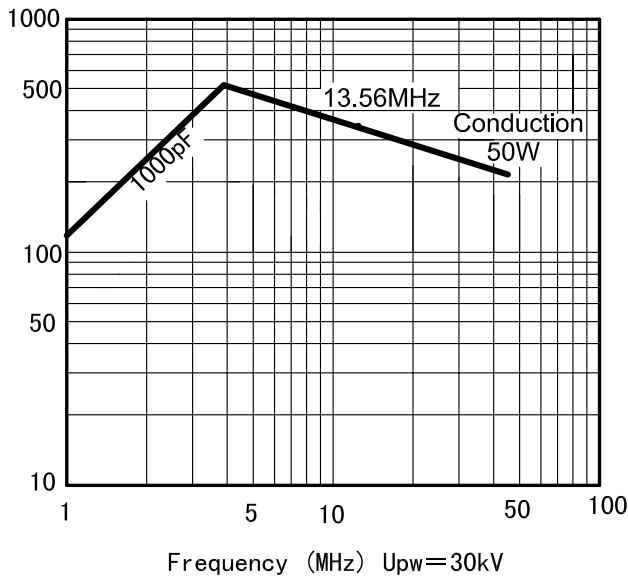
www.glvac.cn

Specification	
Capacity C_{max} (nominal)	1000pF
Voltage (Peak Test U_{pt} /Peak Working U_{pw})	50kV/30kV
Capacity tolerance	$\pm 5\%$
Max. Current I_{max} at 13.56MHz with	296Arms
Conduction Cooling	50W
Net Weight	7kg

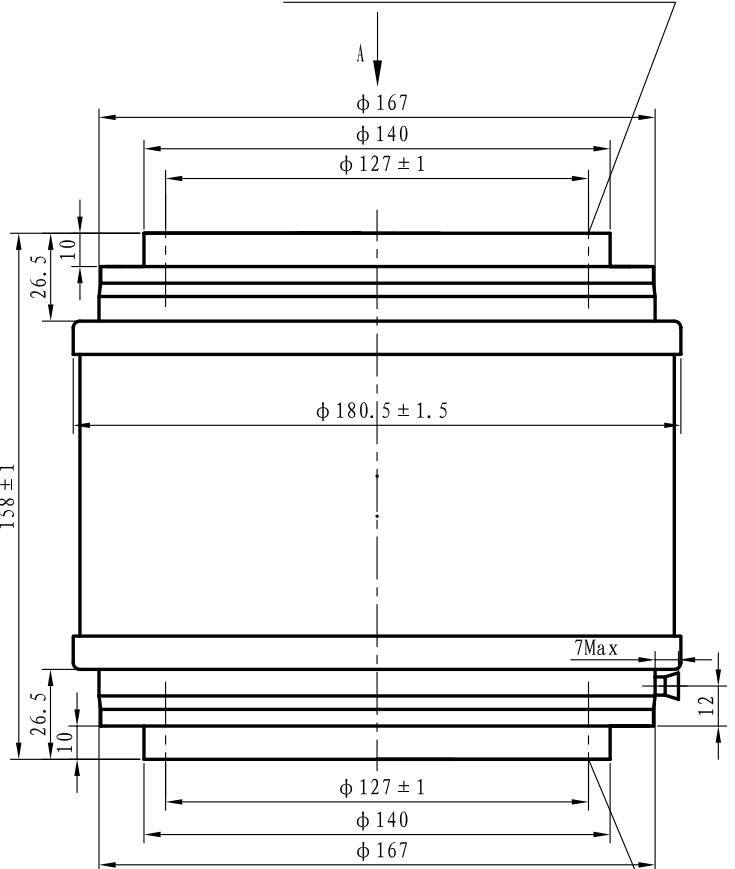


I_{max} at ambient and 125 °C surface temp. for convection and conduction (50w) cooling

I_{max} (Arms)



6 × M6 ∇ 9 EQS
6 × 1/4-20UNC-2B ∇ 9 EQS



6 × M6 ∇ 9 EQS
6 × 1/4-20UNC-2B ∇ 9 EQS