



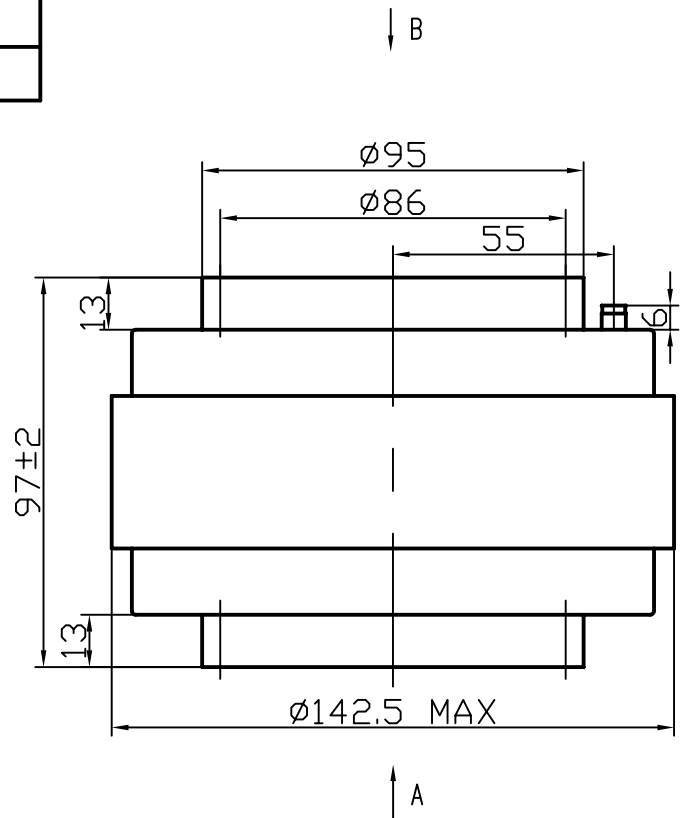
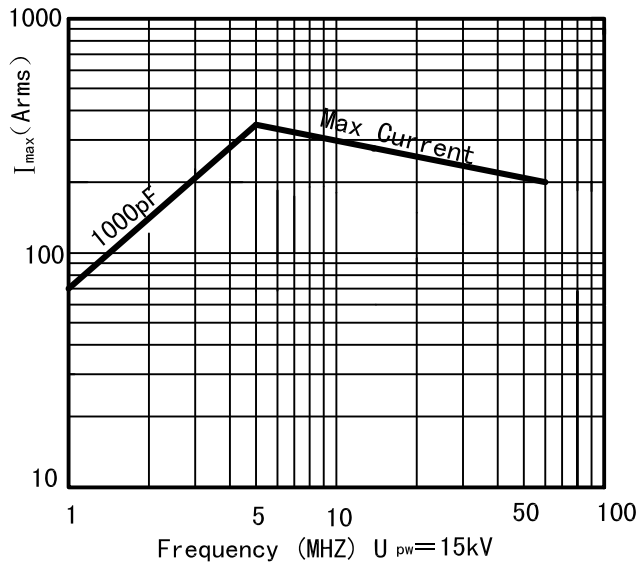
Data-Sheet-Fixed Vacuum Capacitor
CKT1000/17.5/271



www.glvac.cn

Specification	
Capacity C _{max} (nominal)	1000pF
Voltage (Peak Test U _{pt} /Peak Working U _{pw})	25kV/15kV
Capacity tolerance	5%
Max. Current I _{max} at 13.56MHz with	271A (rms)
Conduction Cooling	50W
Net Weight	3.5kg

I_{max} at 25 °C ambient and 125 °C surface for convection and conduction (50w) cooling



VIEW A

VIEW B

