



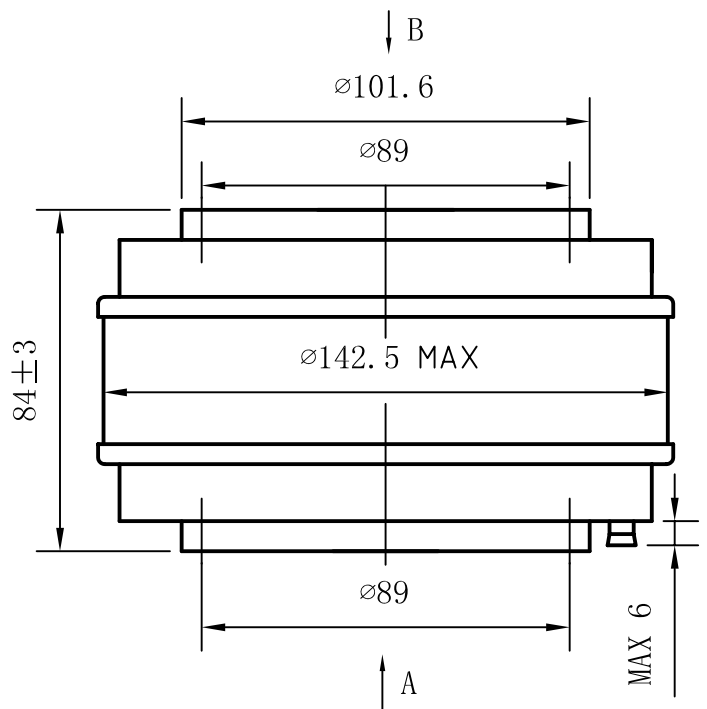
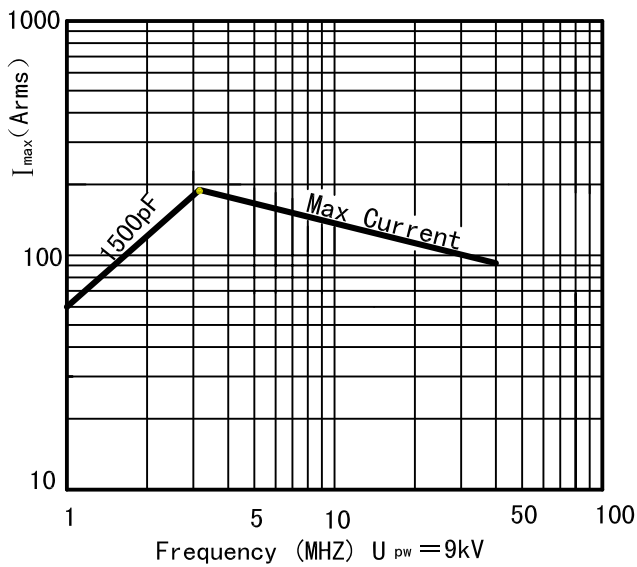
Data-Sheet-Fixed Vacuum Capacitor
CKT1500/10/190



www.glvac.cn

Specification	
Capacity C _{max} (nominal)	1500pF
Voltage (Peak Test U _{pt} /Peak Working U _{pw})	15kV/9kV
Capacity tolerance	5%
Max. Current I _{max} at 3.17MHz with	190A (rms)
Conduction Cooling	50W
Net Weight	3kg

I_{max} at 25 °C ambient and 125 °C surface for convection and conduction (50w) cooling



VIEW A

VIEW B

