

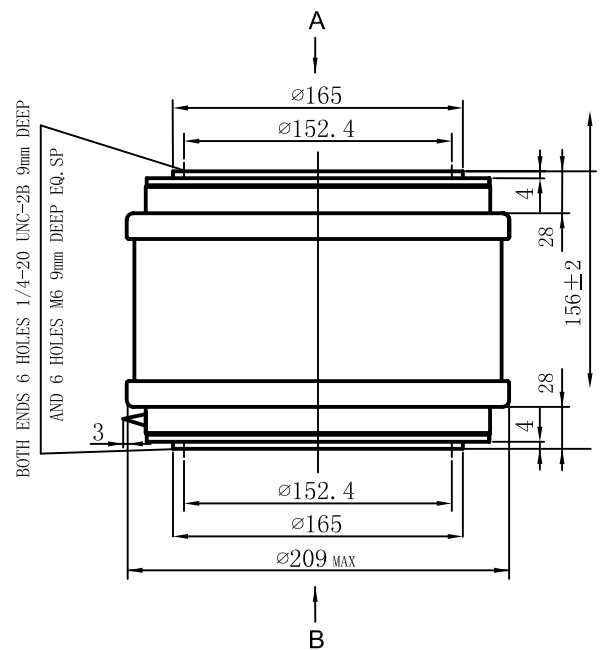
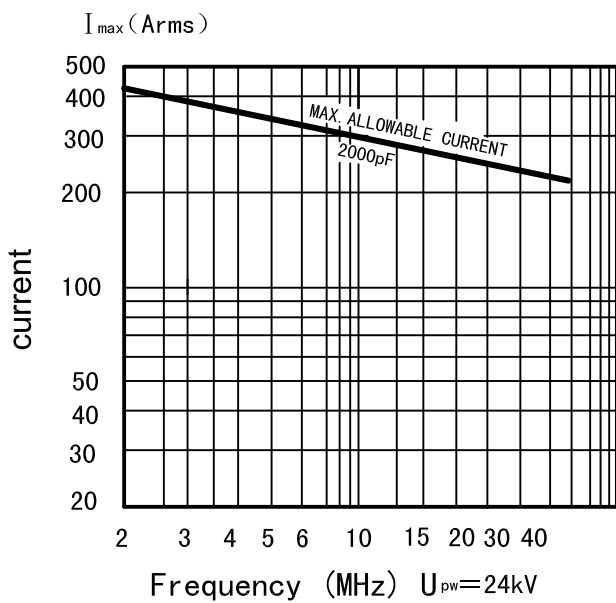


Data-Sheet-Fixed Vacuum Capacitor  
CKT2000/28/400

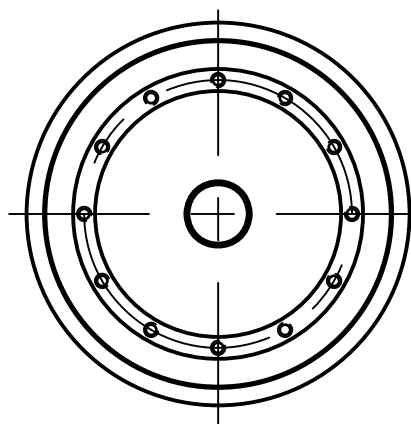


www.glvac.cn

Specification	
Capacity $C_{max}$ (nominal)	2000pF
Voltage (Peak Test $U_{pt}$ /Peak Working $U_{pw}$ )	40kV/24kV
Capacity tolerance	$\pm 5\%$
Max. Current $I_{max}$ at 13.56MHz with	400Arms
Conduction Cooling	
Net Weight	12.7 kg



VIEW A



VIEW B

