

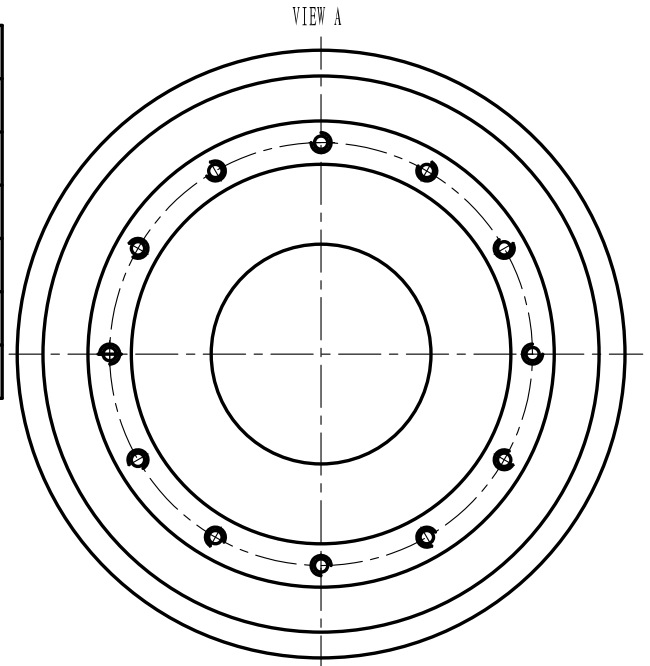


Data-Sheet-Fixed Capacitor  
CKT2000/24/266



www.glvac.cn

Specification	
Capacity $C_{max}$ (nominal)	2000pF
Voltage (Peak Test $U_{pt}$ /Peak Working $U_{pw}$ )	35kV/21kV
Capacity tolerance	$\pm 5\%$
Max. Current $I_{max}$ at 13.56MHz with	266Arms
Conduction Cooling	50W
Net Weight	8.7kg



$I_{max}$  at 25 °C ambient and 125 °C surface for convection and conduction (50w) cooling

$I_{max}$  (Arms)

