



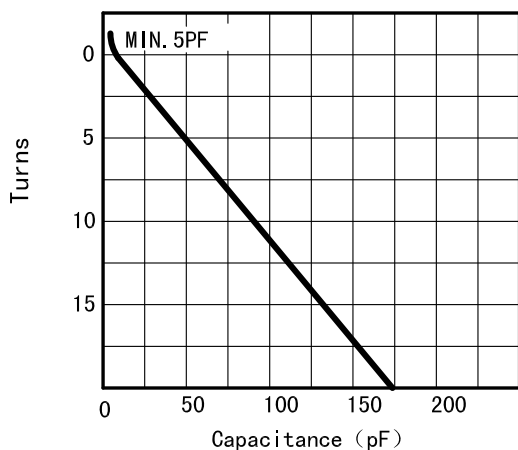
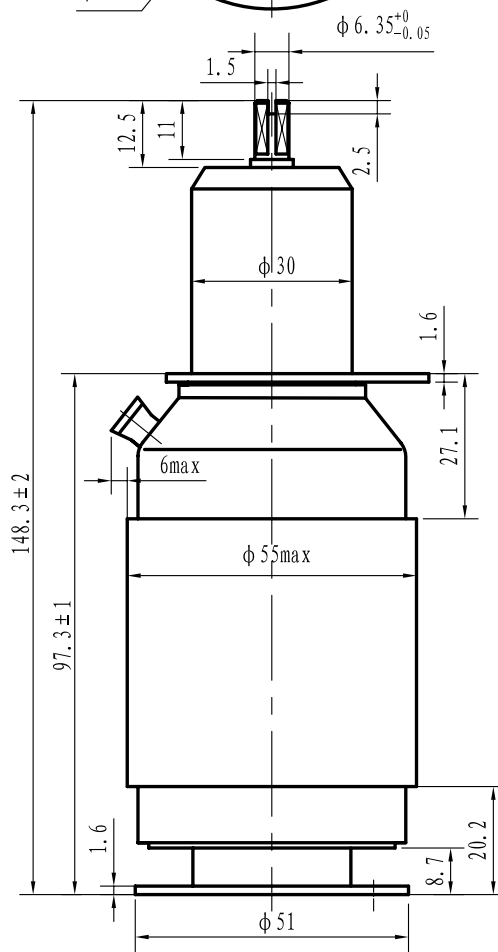
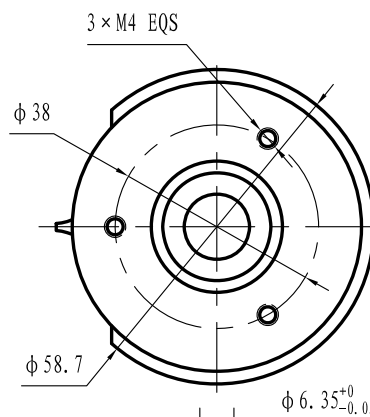
Data-Sheet-Variable Vacuum Capacitor

CKTB170/10/64



www.glvac.cn

| Specification | |
|--|---------------|
| Capacity C_{max} (nominal) | 170pF |
| Capacity C_{min} (nominal) | 5pF |
| Voltage (Peak Test U_{pt} /Peak Working U_{pw}) | 15kV/9kV |
| Capacity tolerance (liner Range) | 10% |
| Max. Current I_{max} at 13.56MHz with | 64Arms |
| Conduction Cooling | 10W |
| Capacitance per turn | 9.5pF/turn |
| Torque | $\leq 0.15Nm$ |
| Net Weight | 0.6kg |



I_{max} at 25 °C ambient and 125 °C surface for convection and conduction (10w) cooling

