



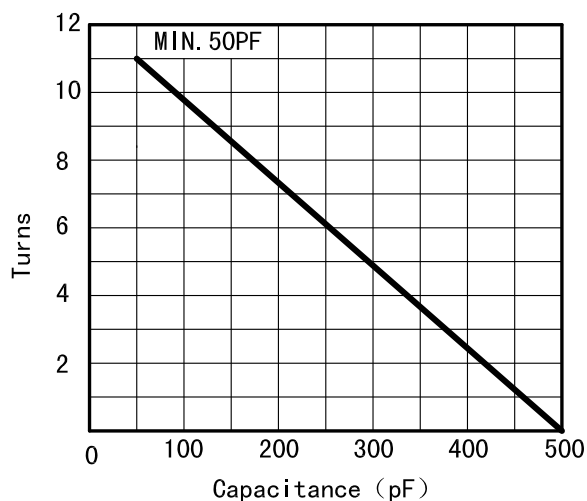
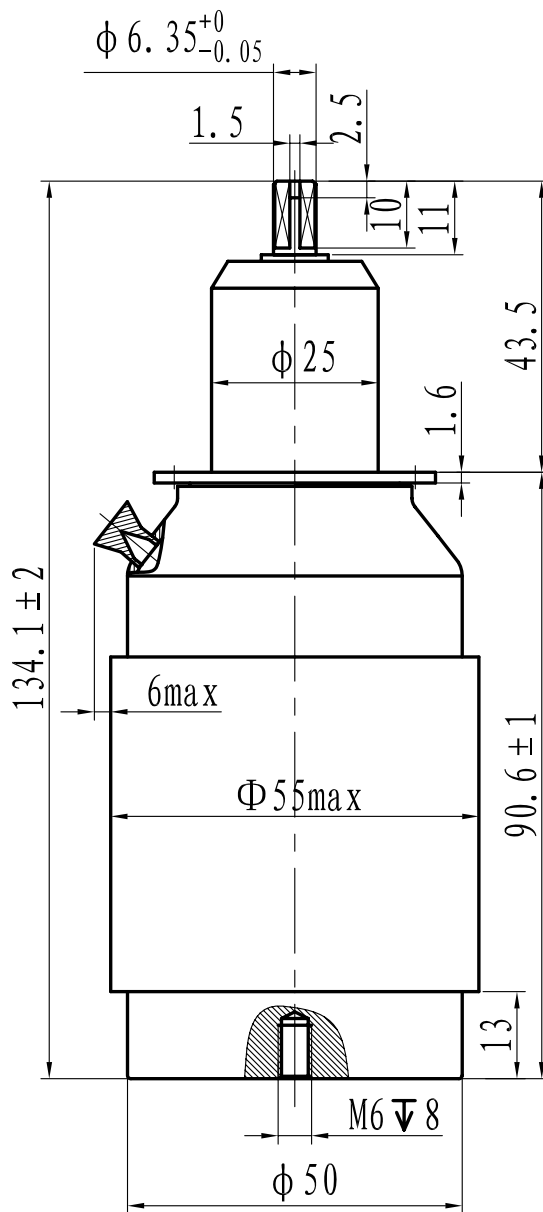
Data-Sheet-Variable Vacuum Capacitor

CKTB500/5. 6/92



www.glvac.cn

Specification	
Capacity C_{max} (nominal)	500pF
Capacity C_{min} (nominal)	50pF
Voltage (Peak Test U_{pt} /Peak Working U_{pw})	8kV/4.8kV
Capacity tolerance (liner Range)	10%
Max. Current I_{max} at 13.56MHz with Conduction Cooling	92Arms 20W
Capacitance per turn	40.9pF/turn
Torque	$\leq 0.2Nm$
Net Weight	0.6kg



I_{max} at 25 °C ambient and 125 °C surface for convection and conduction (20w) cooling

