

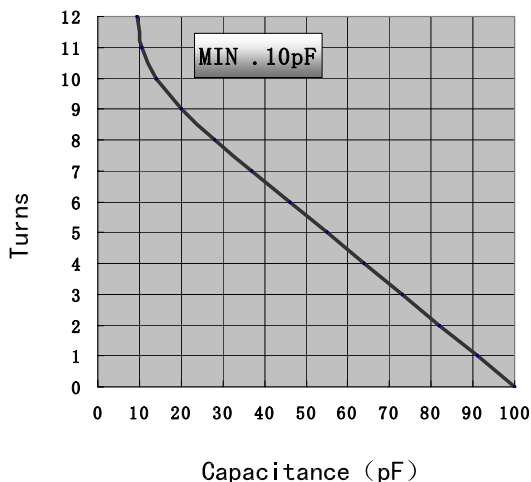
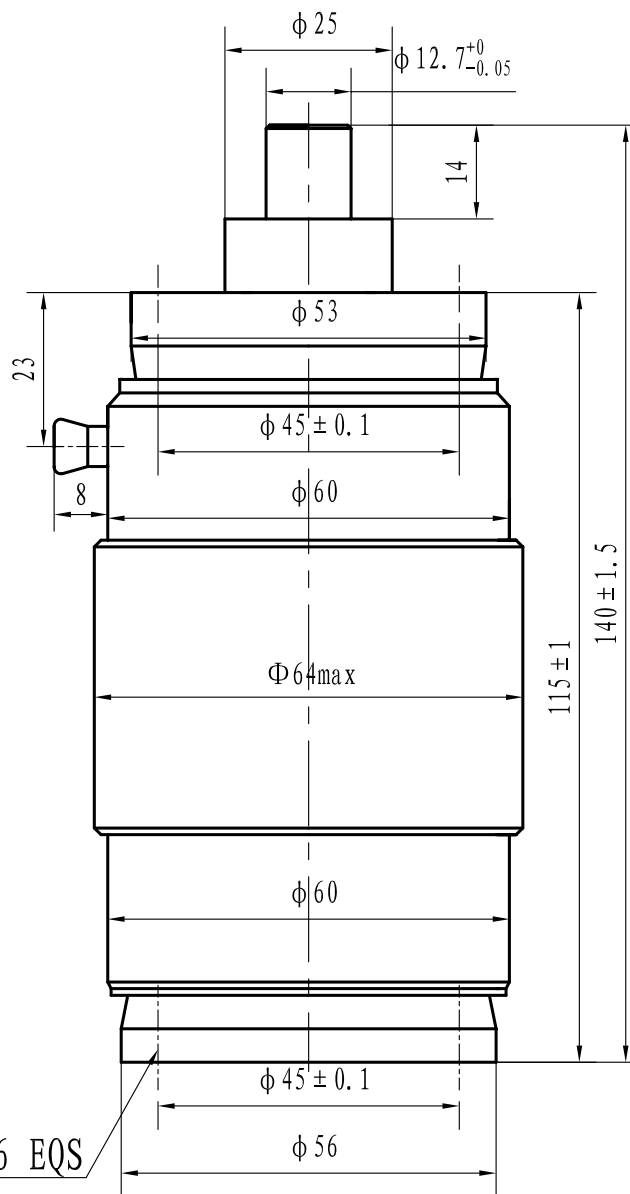


Data-Sheet-Variable Vacuum Capacitor  
CKTB100/10/54 (II)

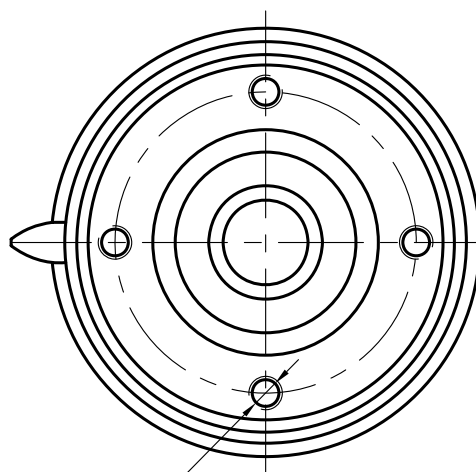
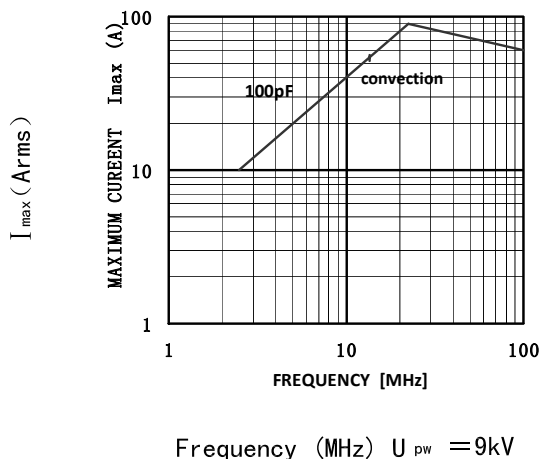


www.glvac.cn

Specification	
Capacity $C_{max}$ (nominal)	100pF
Capacity $C_{min}$ (nominal)	10pF
Voltage (Peak Test $U_{pt}$ /Peak Working $U_{pw}$ )	15kV/9kV
Capacity tolerance (liner Range)	10%
Max. Current $I_{max}$ at 13.56MHz with	54Arms
Convection Cooling	
Capacitance per turn	$9 \pm 2pF/turn$
Torque	$\leq 0.245N.m$
Net Weight	0.95kg



$I_{max}$  at ambient and 125 °C  
surface temp. for convection cooling



4 x M5 6 EQS