



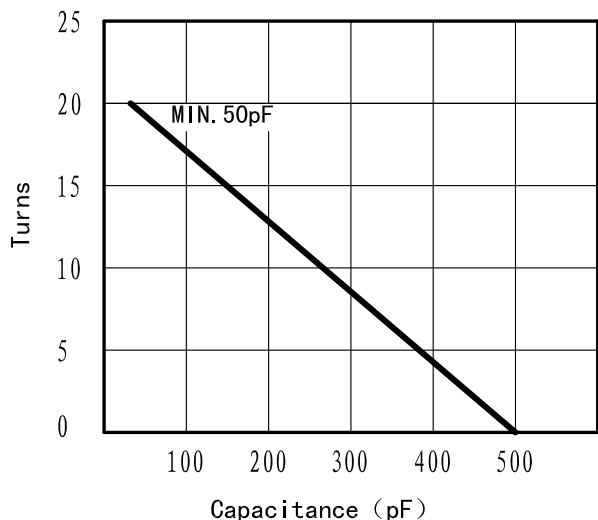
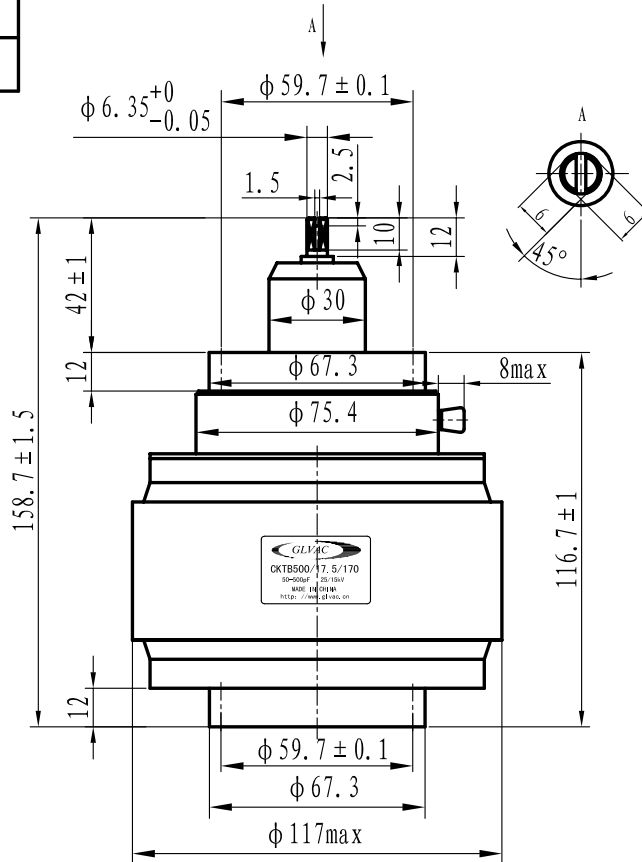
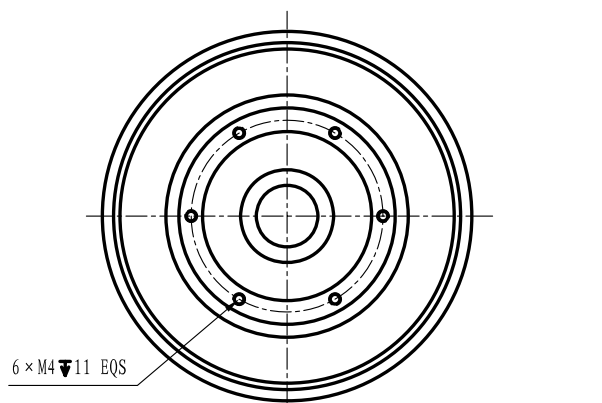
Data-Sheet-Variable Vacuum Capacitor

CKTB500/17.5/170



www.glvac.cn

Specification	
Capacity C_{max} (nominal)	500pF
Capacity C_{min} (nominal)	50pF
Voltage (Peak Test U_{pt} /Peak Working U_{pw})	25kV/15kV
Capacity tolerance (liner Range)	10%
Max. Current I_{max} at 13.56MHz with	170Arms
Conduction Cooling	30W
Capacitance per turn	23.4pF/turn
Torque	$\leq 0.6Nm$
Net Weight	2.5kg



I_{max} at ambient and 125 °C surface temp. for convection and conduction (30w) cooling

