



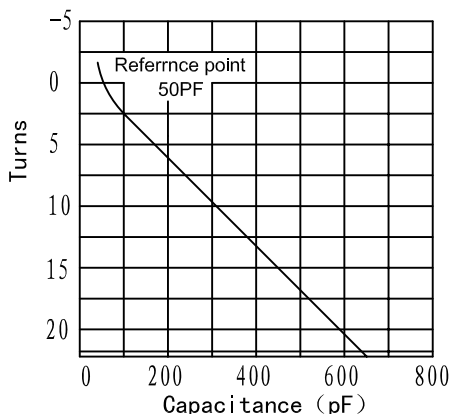
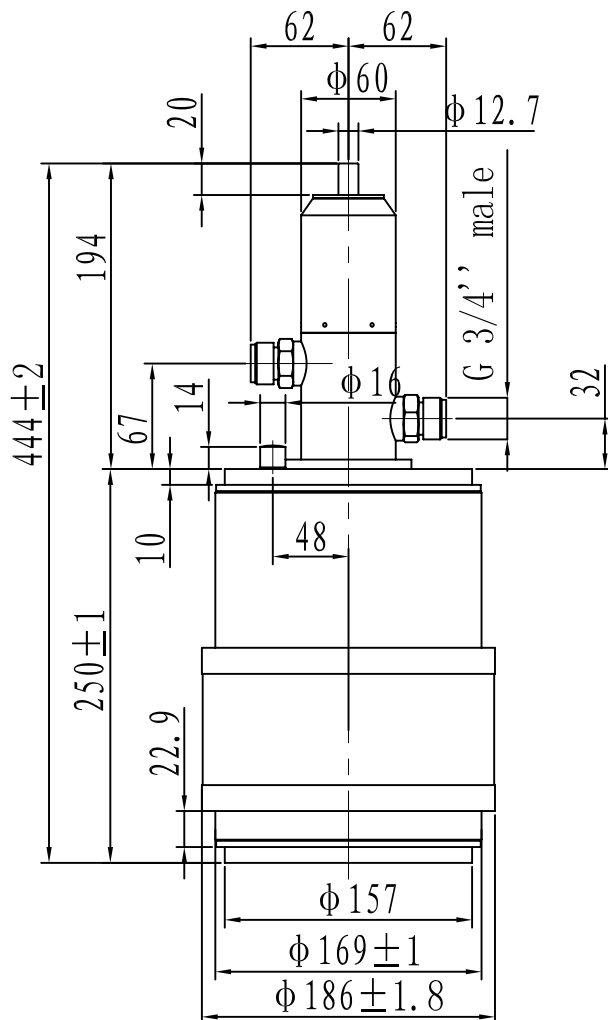
Data-Sheet-Variable Vacuum Capacitor

CKTBS650/35/467



www.glvac.cn

Specification	
Capacity C_{max} (nominal)	650pF
Capacity C_{min} (nominal)	25pF
Voltage (Peak Test U_{pt} /Peak Working U_{pw})	50kV/30kV
Capacity tolerance (liner Range)	10%
Max. Current I_{max} at 13.56MHz with	467Arms
Water Cooling	12L/min
Self Inductance	≤ 31 nH
Capacitance per turn	26pF/turn
Torque	≤ 1.5 Nm
Net Weight	13kg



I_{max} for 12L/min water cooling ; max.temp.at inlet 70°C ; fixed end has to be water cooled with min. 4l/min

