



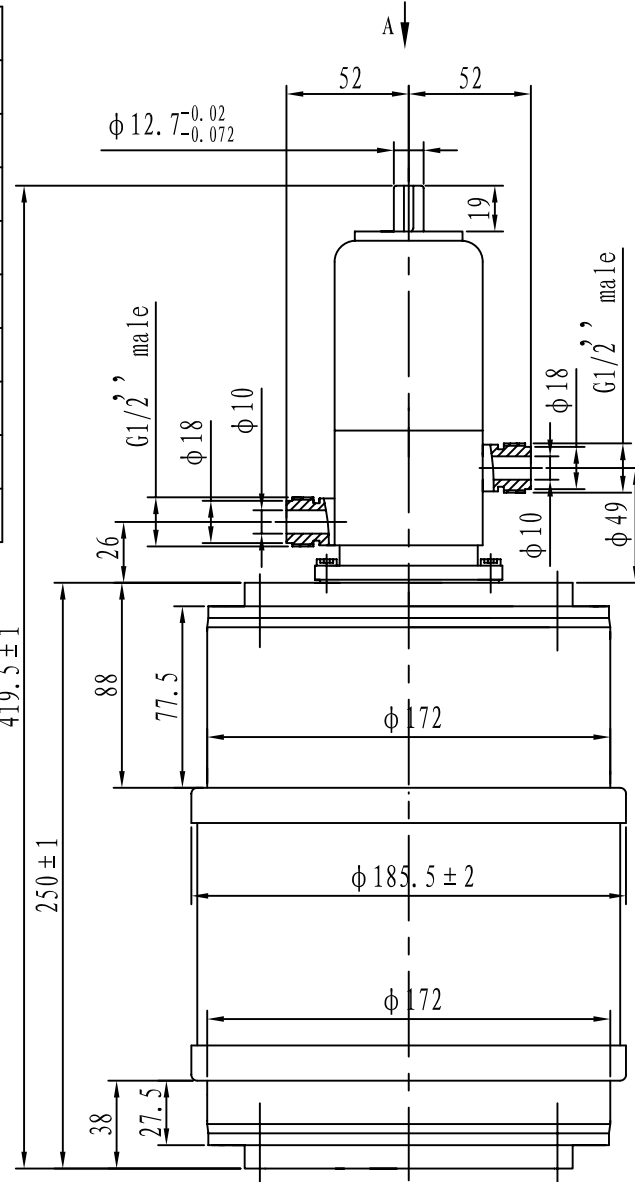
Data-Sheet-Variable Vacuum Capacitor

CKTBS650/35/730

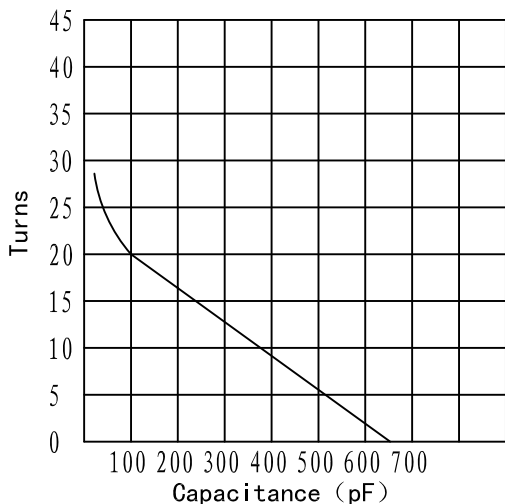


www.glvac.cn

Specification	
Capacity C_{max} (nominal)	650pF
Capacity C_{min} (nominal)	30pF
Voltage (Peak Test U_{pt} /Peak Working U_{pw})	50kV/30kV
Capacity tolerance (liner Range)	10%
Max. Current I_{max} at 13.56MHz with	730Arms
Water Cooling	25L/min
Capacitance per turn	26pF/turn
Torque	$\leq 1.5Nm$
Net Weight	12kg



Mechanical stop at $< 30pF$ at ~ 27 turns
 Mechanical stop at $> 650pF$ at ~ -0.5 turns



I_{max} for 25L/min Water cooling; max. temperature at inlet 70°C max Fix end has to be cooled with min. 50W

