

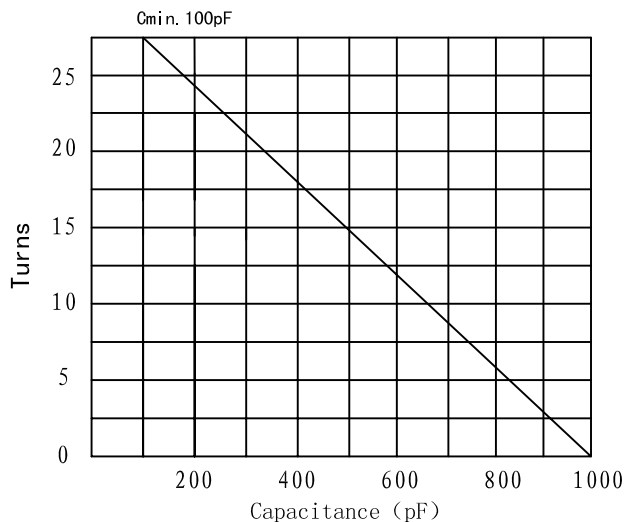
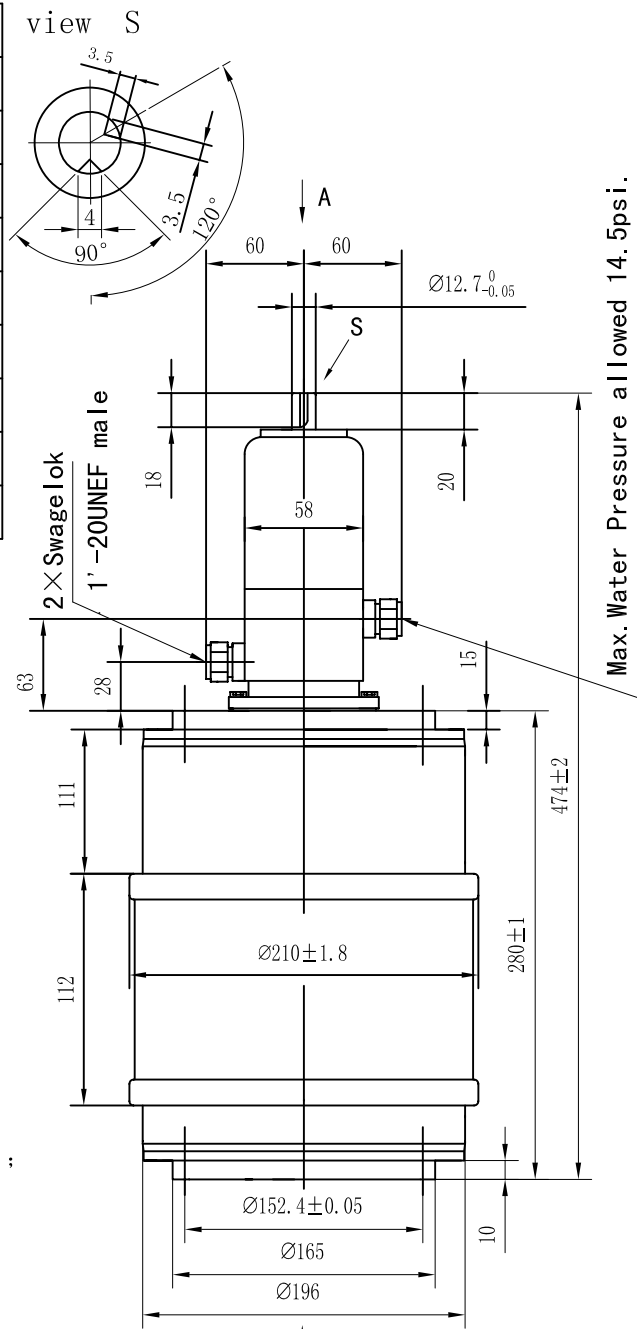


Data-Sheet-Variable Vacuum Capacitor  
CKTBS1000/35/750



www.glvac.cn

Specification	
Capacity $C_{max}$ (nominal)	1000pF
Capacity $C_{min}$ (nominal)	100pF
Voltage (Peak Test $U_{pT}$ /Peak Working $U_{pW}$ )	50kV/30kV
Capacity tolerance (liner Range)	10%
Max. Current $I_{max}$ at 5.6MHz with Conduction Cooling	750Arms 25L/min
Capacitance per turn	35.6pF/turn
Torque	$\leq 1.5N \cdot m$
Net Weight	21 kg



$I_{max}$  for 25ml/min Water cooling; max. Watertemp. at inlet: 70°C ;  
fixed end has to be cooled with min. 50W

