



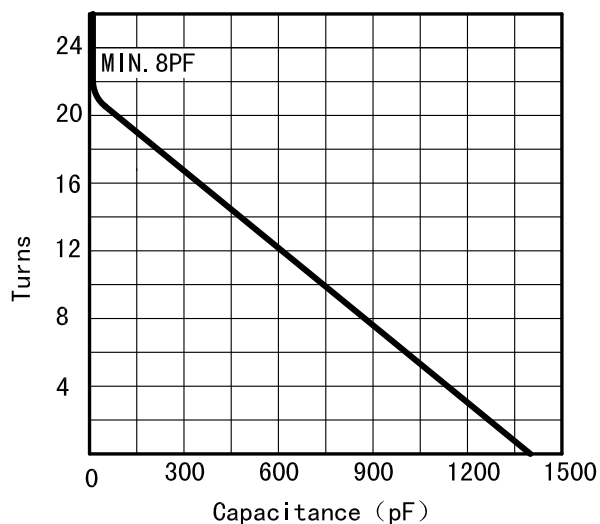
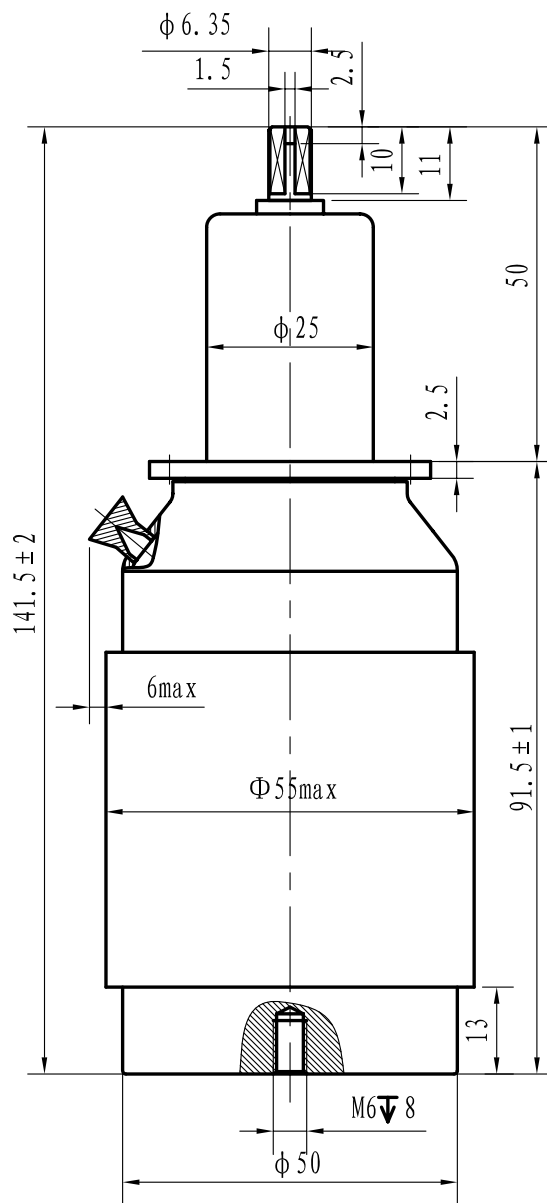
Data-Sheet-Variable Vacuum Capacitor

CKTB1400/2.1/63



www.glvac.cn

Specification	
Capacity $C_{max}$ (nominal)	1400pF
Capacity $C_{min}$ (nominal)	8pF
Voltage (Peak Test $U_{pt}$ /Peak Working $U_{pw}$ )	3kV/1.8kV
Capacity tolerance (liner Range)	10%
Max. Current $I_{max}$ at 13.56MHz with Conduction Cooling	63Arms 12W
Capacitance per turn	70pF/turn
Torque	$\leq 0.15Nm$
Net Weight	0.7kg



$I_{max}$  at 25 °C ambient and 125 °C surface for convection and conduction (12w) cooling

