

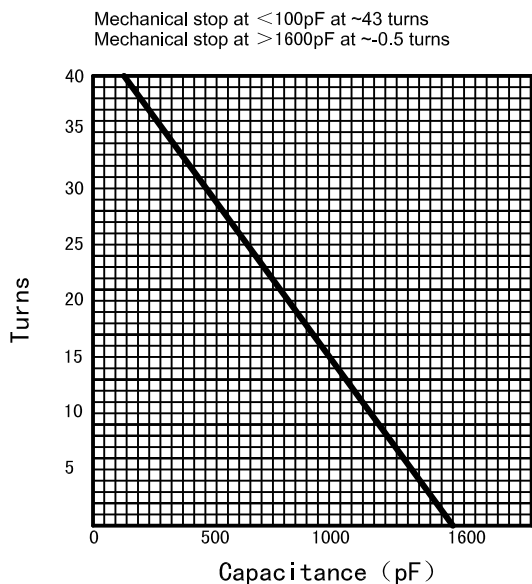
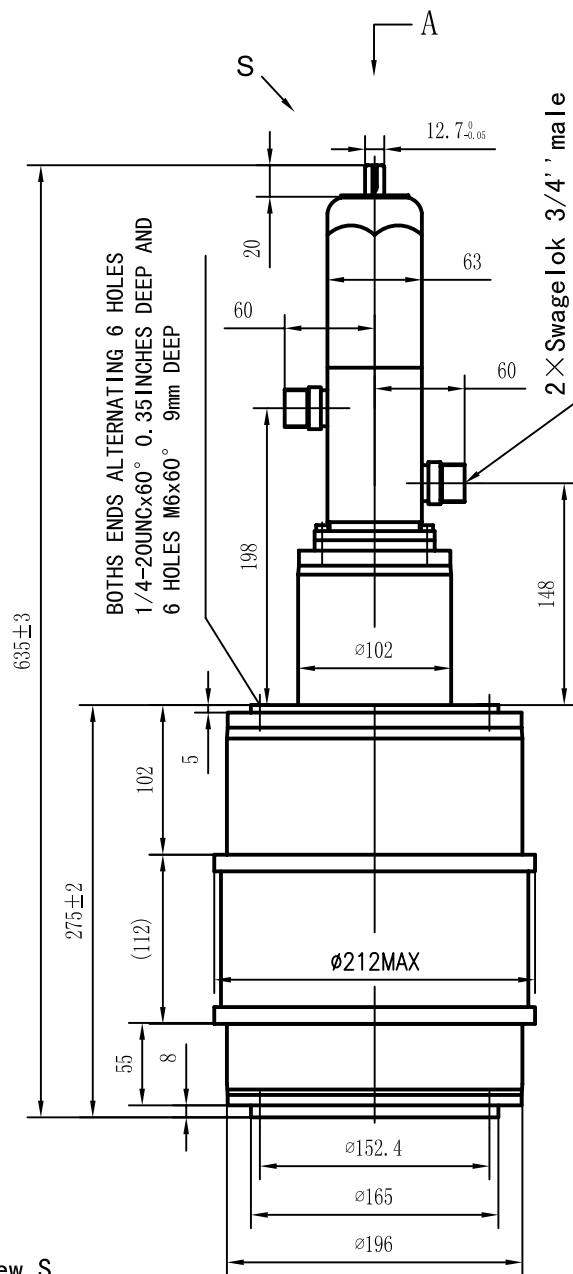


Data-Sheet-Variable Capacitor CKTBS1600/28/790



www.glvac.cn

Specification	
Capacity C_{max} (nominal)	1600pF
Capacity C_{min} (nominal)	100pF
Voltage (Peak Test U_{pt} /Peak Working U_{pw})	40kV/24kV
Capacity tolerance (liner Range)	10%
Max. Current I_{max} at 13.56MHz with Conduction Cooling	633Arms 25L/min
Capacitance per turn	36.3pF/turn
Torque	$\leq 1.5Nm$
Net Weight	24kg



I_{max} for 25l/min water cooling ; max. water temp. at inlet 70°C;
fix end has to be cooled with min 50w.

