

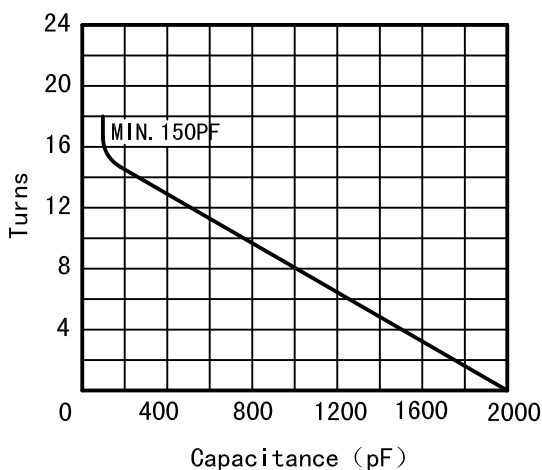
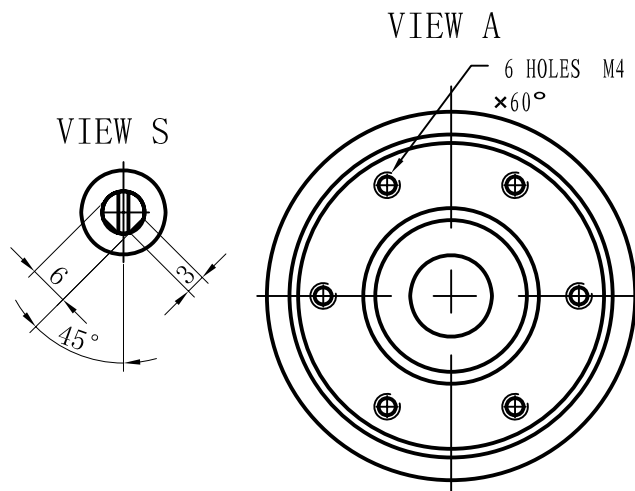


Data-Sheet-Variable Capacitor CKTB2000/3.5/114



www.glvac.cn

Specification	
Capacity C_{max} (nominal)	2000pF
Capacity C_{min} (nominal)	150pF
Voltage (Peak Test U_{pt} /Peak Working U_{pw})	5kV/3kV
Capacity tolerance (liner Range)	10%
Max. Current I_{max} at 13.56MHz with	114Arms
Conduction Cooling	25W
Capacitance per turn	124.1pF/turn
Torque	$\leq 0.4N.m$
Net Weight	1.4 kg



I_{max} at 25° ambient and 125° surface temp.
for convection and conduction (25W) cooling

