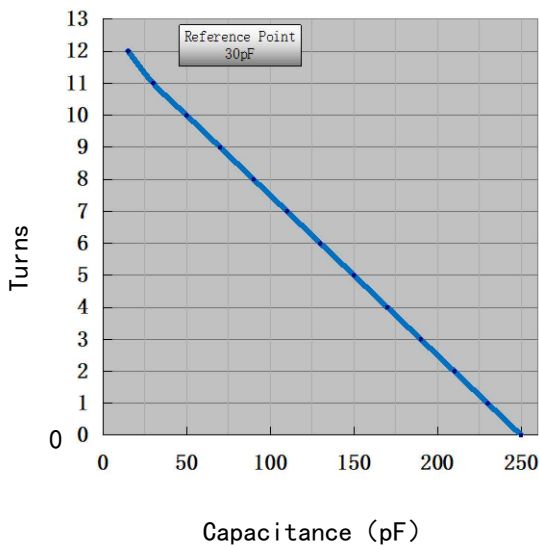
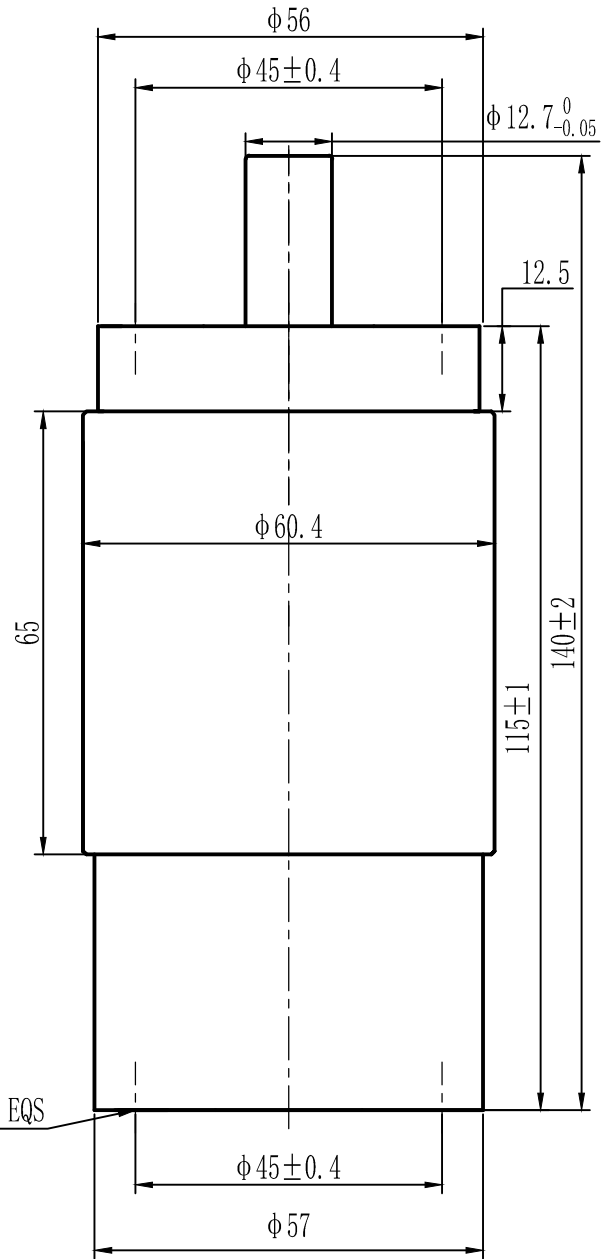


Data-Sheet-Variable Vacuum Capacitor CKTB250/15/100

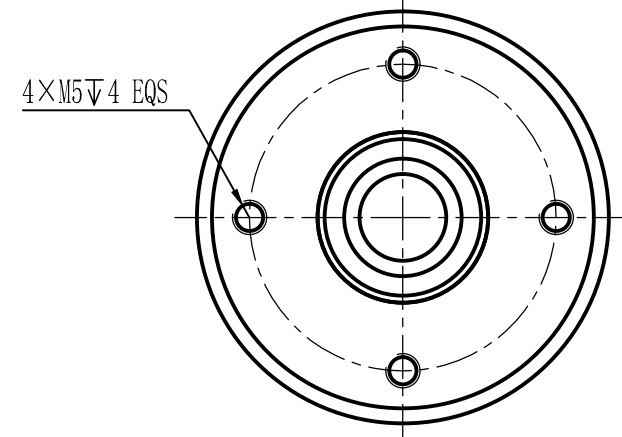
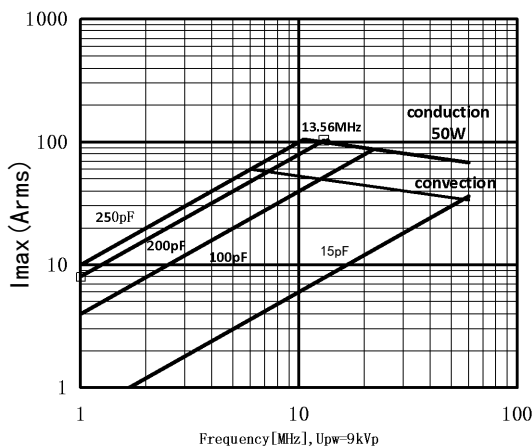


www.glvac.com

| Specification | |
|--|--------------|
| Capacity C_{max} (nominal) | 250pF |
| Capacity C_{min} (nominal) | 15pF |
| Voltage (Peak Test U_{pt} /Peak Working U_{pw}) | 15kVp/9kVp |
| Capacity tolerance (Linear Range) | $\pm 10\%$ |
| Max. Current I_{max} at 13.56MHz with | 100Arms |
| Conduction Cooling | 50W |
| Tuner Turns | 12 ± 1 |
| Capacitance per turn | 20pF/turn |
| Torque | $\leq 0.2Nm$ |
| Net Weight | 1.0kg |



I_{max} at 25°C ambient and 125 °C surface temp. for convection and conduction (50W) cooling



UNLESS OTHERWISE SPECIFIED:

≤ 30 : ± 0.5 $30 \sim 400$: ± 1.2 ≥ 400 : ± 2.5 \angle : $\pm 1^\circ$

Rev: 00

Page1/1

Issue: 12-Jan-2023

Address: ST28 Xihu Road, Kunshan, Jiangsu Province, China
TEL: +86 (512) 36872110

Web: www.glvac.com
FAX: +86 (512) 36872122

E-mail: e-sales@glvac.cn
Zip Code: 215333