

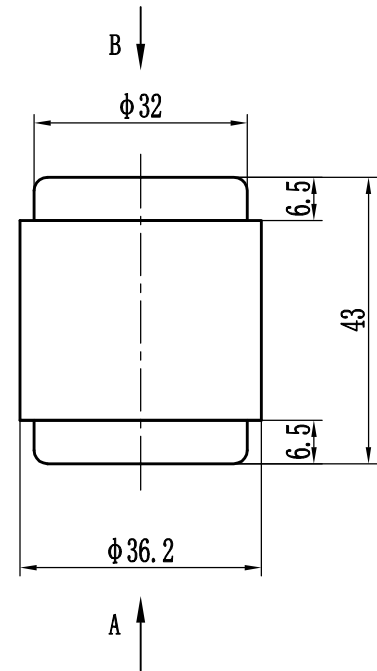
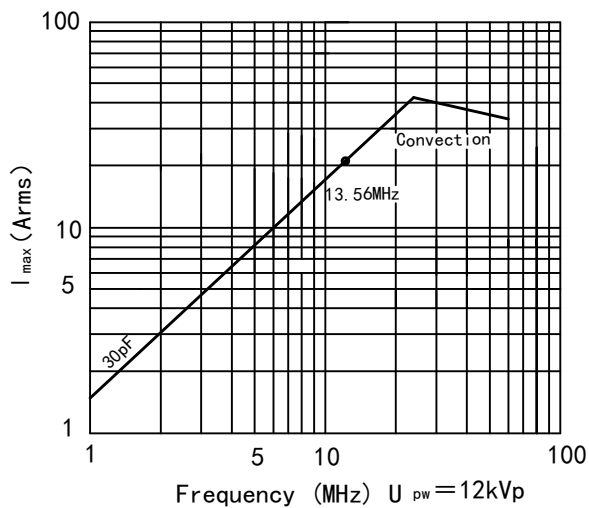
# Data-Sheet-Fixed Capacitor

## CKT30/20/21



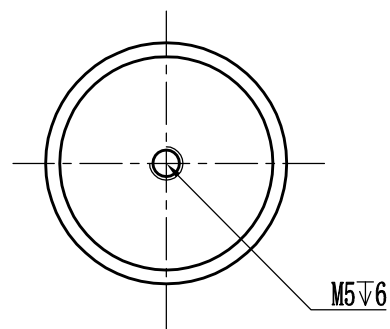
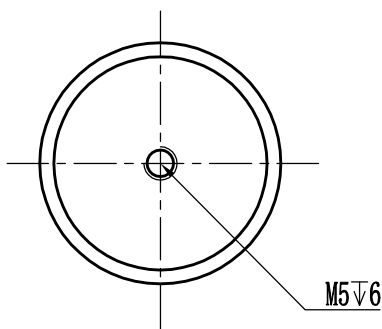
www.glvac.com

Specification	
Capacity $C_{max}$ (nominal)	30pF
Voltage (Peak Test $U_{pt}$ /Peak Working $U_{pw}$ )	20kVp/12kVp
Capacity tolerance	$\pm 10\%$
Max. Current $I_{max}$ at 13.56MHz with	21Arms
Conduction Cooling	
Net Weight	0.2kg



VIEW A

VIEW B



UNLESS OTHERWISE SPECIFIED:

$\leq 30$ :  $\pm 0.5$  30~400:  $\pm 1.2$   $\geq 400$ :  $\pm 2.5$   $\angle$ :  $\pm 1^\circ$

Address: ST28 Xihu Road, Kunshan, Jiangsu Province, China  
TEL: +86 (512) 36872110

Rev: 00

Web: www.glvac.com  
FAX: +86 (512) 36872122

Page 1/1

Issue: 5-Jan-2023

E-mail: e-sales@glvac.cn  
Zip Code: 215333