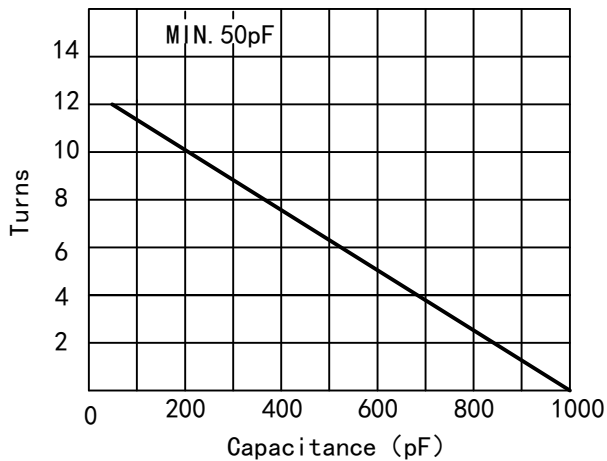
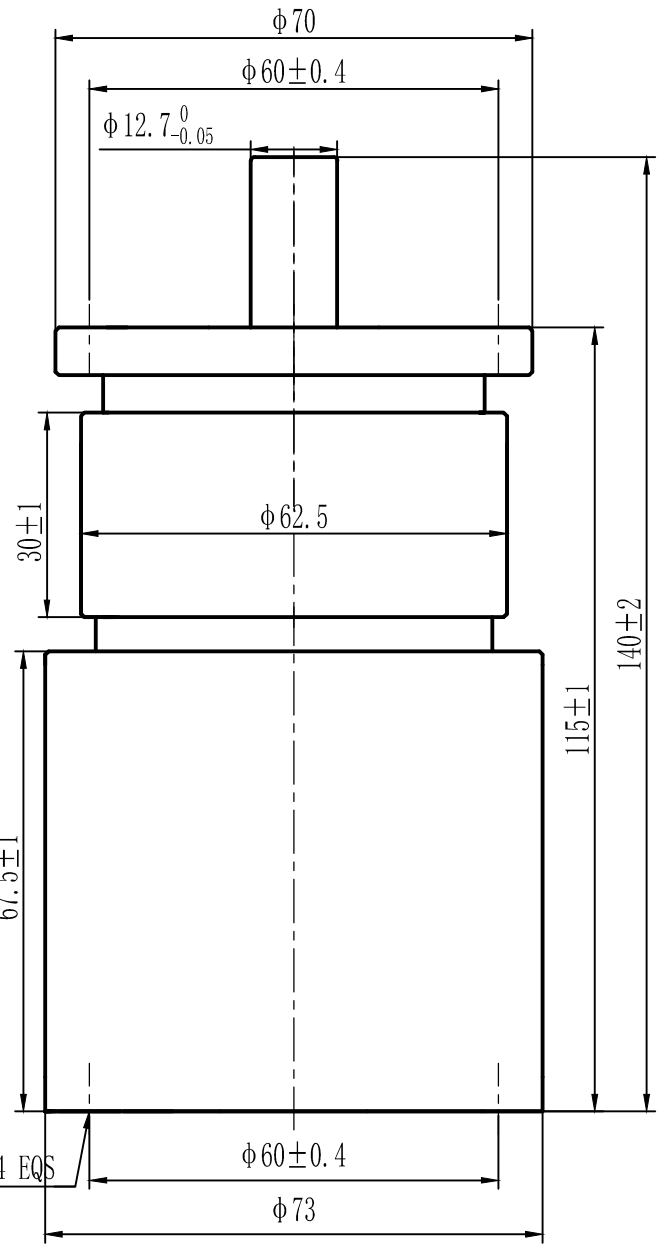


# Data-Sheet-Variable Vacuum Capacitor CKTB1000/5/100

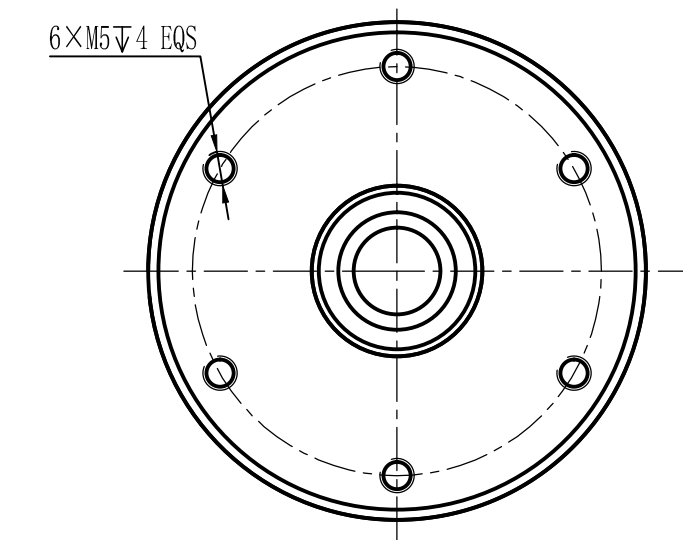
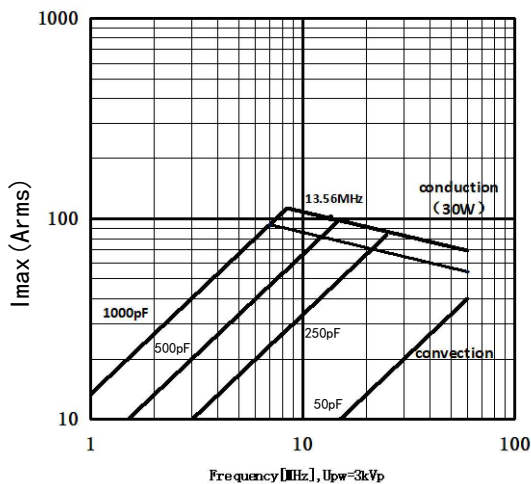


www.glvac.com

| Specification  |              |
|--|--------------|
| Capacity $C_{max}$ (nominal)                         | 1000pF       |
| Capacity $C_{min}$ (nominal)                         | 50pF         |
| Voltage (Peak Test $U_{pt}$ /Peak Working $U_{pw}$ ) | 5kVp/3kVp    |
| Capacity tolerance (Linear Range)                    | $\pm 10\%$   |
| Max. Current $I_{max}$ at 13.56MHz with              | 100Arms      |
| Conduction Cooling                                   | 30W          |
| Tuner Turns  | $12 \pm 1$   |
| Capacitance per turn                                 | 88pF/turn    |
| Torque   | $\leq 0.2Nm$ |
| Net Weight   | 1.4kg        |



$I_{max}$  at 25°C ambient and 125 °C surface temp. for convection and conduction (30W) cooling



UNLESS OTHERWISE SPECIFIED:

$\leq 30$ :  $\pm 0.5$      $30 \sim 400$ :  $\pm 1.2$      $\geq 400$ :  $\pm 2.5$      $\angle$ :  $\pm 1^\circ$

Rev: 01

Page1/1

Issue: 8-Dec.-2022

Address: ST28 Xihu Road, Kunshan, Jiangsu Province, China  
TEL: +86 (512) 36872110

Web: www.glvac.com  
FAX: +86 (512) 36872122

E-mail: e-sales@glvac.cn  
Zip Code: 215333