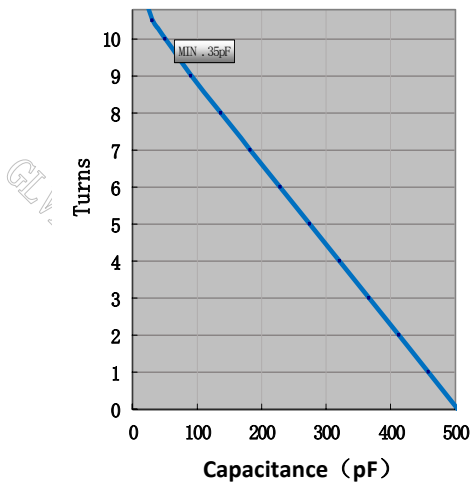
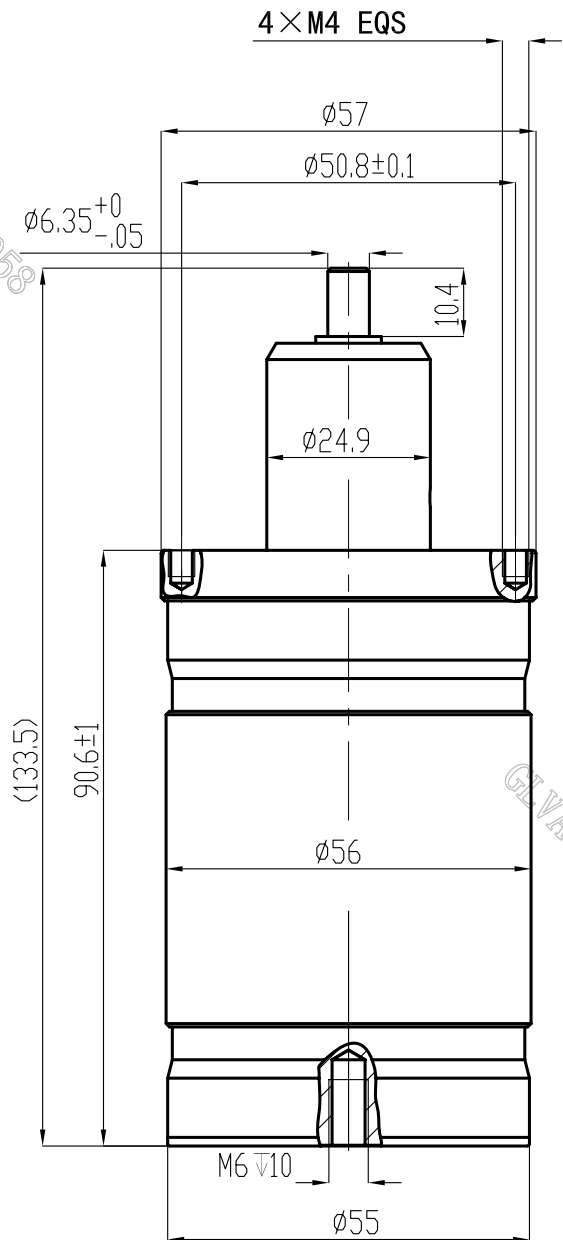


Data-Sheet-Variable Vacuum Capacitor YL56-8-500

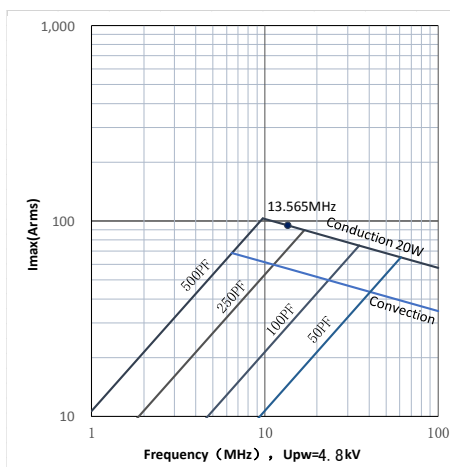


www.glvac.cn

Specifications	
Capacity C_{max} (nominal)	500pF
Capacity C_{min} (nominal)	25pF
Voltage (Peak Test U_{pt} /Peak Working U_{pw})	8KVp/4.8KVp
Capacity Tolerance (Linear Range)	10%
Max. Current I_{max} at 13.56MHz with	95Arms
Conduction Cooling	20W
Capacitance per turn	46 ± 1.5 pF/turn
Torque	≤ 0.18 N·m
Net Weight	0.7kg
Turns	10.5 ± 0.3



I_{max} at 25 °C ambient and 125 °C surface temp for convection and conduction (20W) cooling



UNLESS OTHERWISE SPECIFIED:

≤ 30 : ± 0.5 $30 \sim 400$: ± 1.2 ≥ 400 : ± 2.5 $\angle \pm 1^\circ$

Rev:00

Page: 1/1

Issue: 26-Apr-2020

Address: ST28 Xihu Road, Kunshan, Jiangsu Province, China
TEL: +86 (512) 36872110

Web: www.glvac.com
FAX: +86 (512) 36872122

E-mail: e-sales@glvac.cn
Zip Code: 215333