

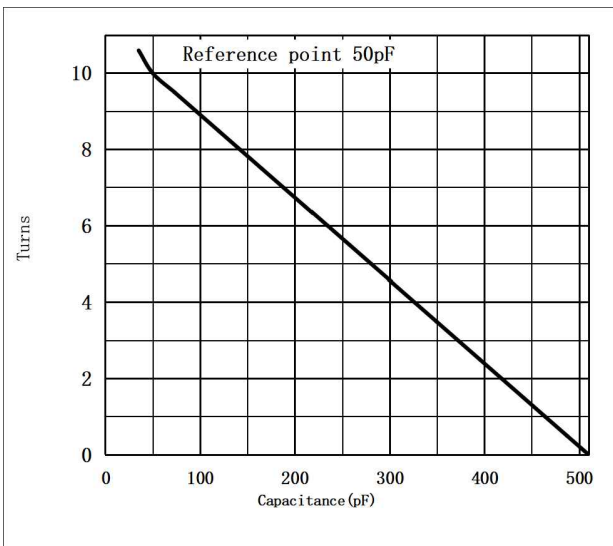
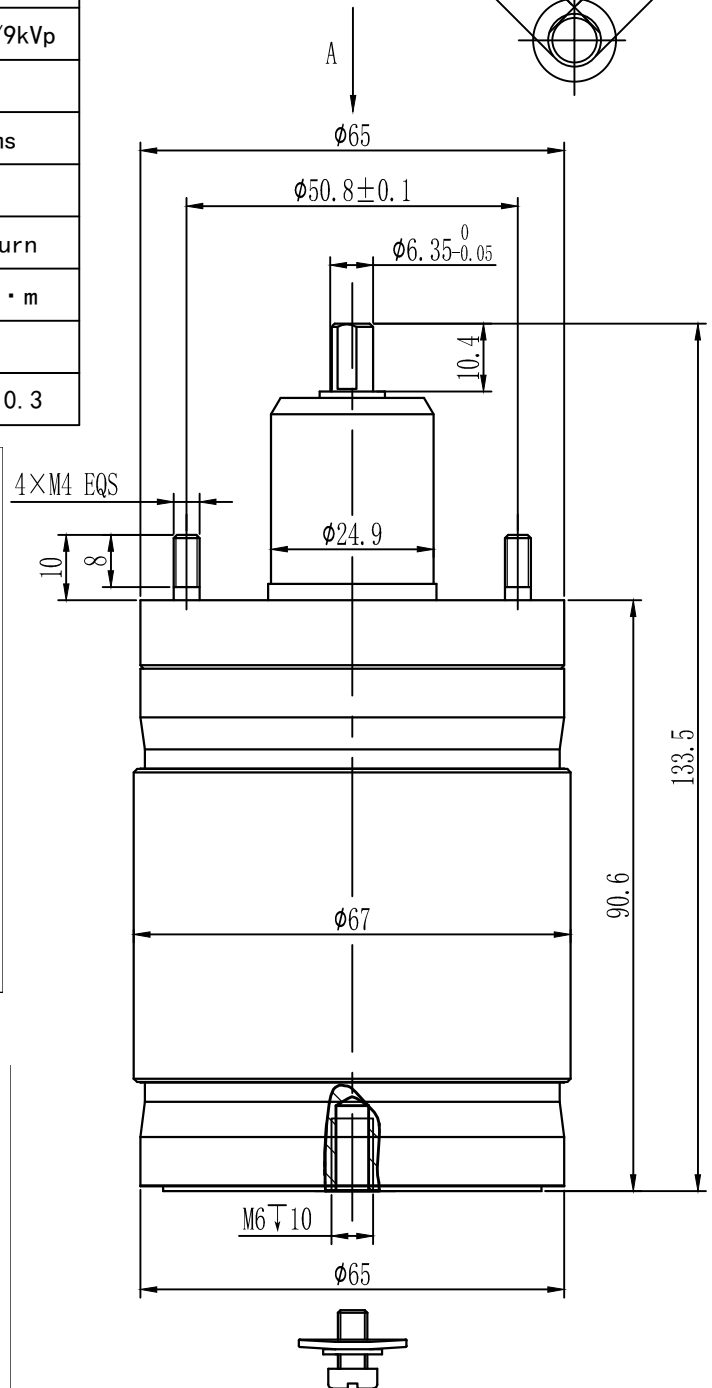
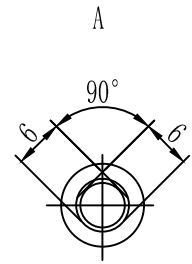
# Data-Sheet-Motorized Vacuum Capacitor

## YL67D-15-500

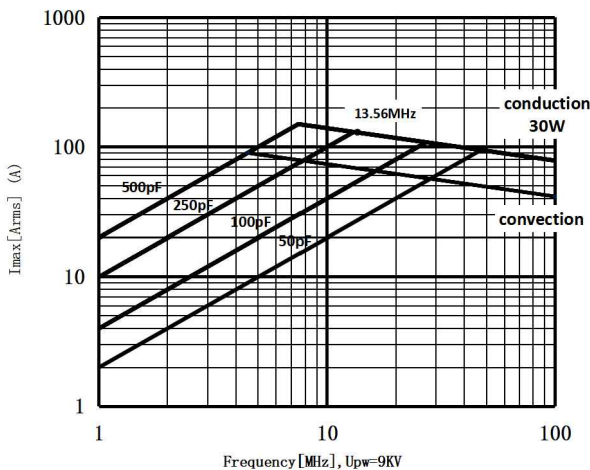


www.glvac.com

Specification	
Capacity $C_{max}$ (nominal)	500pF
Capacity $C_{min}$ (nominal)	40pF
Voltage (Peak Test $U_{pt}$ /Peak Working $U_{pw}$ )	15kVp/9kVp
Capacity tolerance (linear Range)	$\pm 5\%$
Max. Current $I_{max}$ at 13.56MHz with	130Arms
Conduction Cooling	30W
Capacitance per turn	46pF/turn
Torque	$\leq 0.2N \cdot m$
Net Weight	1kg
Turns	$10.5 \pm 0.3$



$I_{max}$  at 25 °C ambient and 125 °C surface for convection and conduction (30w) cooling



UNLESS OTHERWISE SPECIFIED:

$\leq 30: \pm 0.5$   $30 \sim 400: \pm 1.2$   $\geq 400: \pm 2.5$   $\angle \pm 1^\circ$

Address: ST28 Xihu Road, Kunshan, Jiangsu Province, China  
TEL: +86 (512) 36872110

Rev:00

Web: www.glvac.com  
FAX: +86 (512) 36872122

Page 1/1 Issue: 24-Aug-2023

E-mail: e-sales@glvac.cn  
Zip Code: 215333