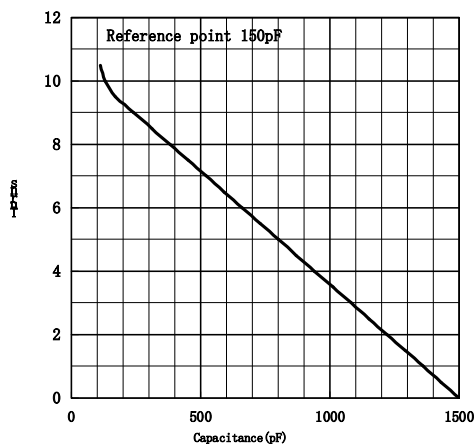


Data-Sheet-Variable Vacuum Capacitor YL75-9-1500

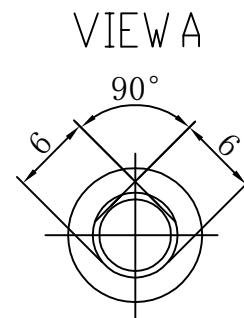
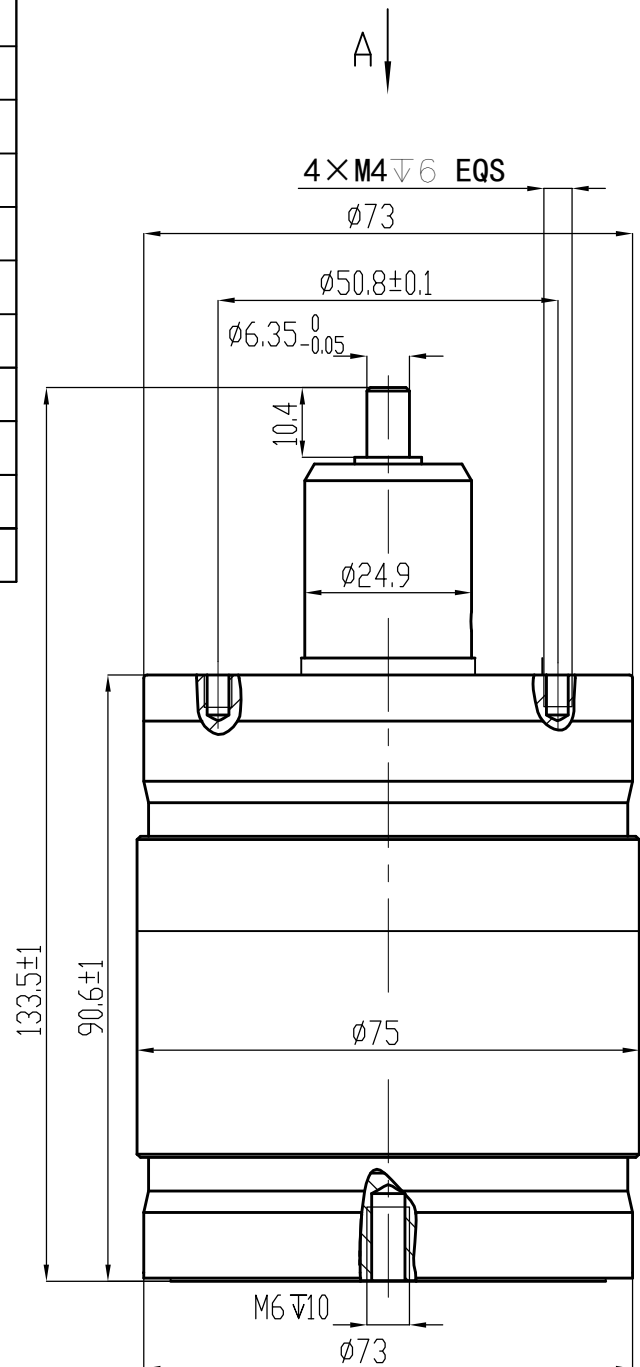
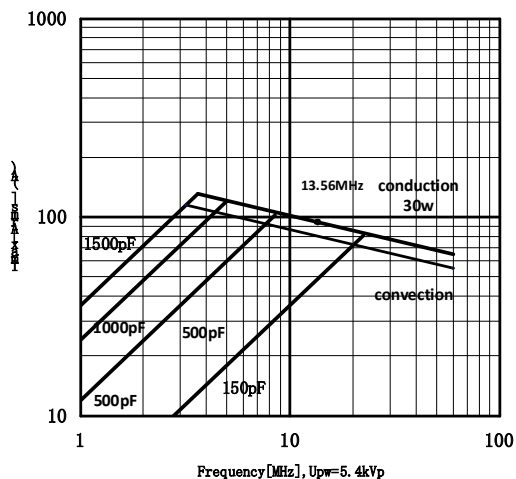


www.glvac.com

Specification	
Capacity C_{max} (nominal)	1500pF
Capacity C_{min} (nominal)	150pF
Voltage (Peak Test U_{pt} /Peak Working U_{pw})	9KVp/5.4KVp
Capacity Tolerance (Linear Range)	$\pm 5\%$
Max. Current I_{max} at 13.56MHz with	95Arms
Conduction Cooling	30W
Capacitance per turn	140pF/turn
Torque	$\leq 0.18N \cdot m$
Net Weight	1.2kg
Turns	10.5 ± 0.5



I_{max} at 25 °C ambient and 125 °C surface for convection and conduction (30W) cooling



UNLESS OTHERWISE SPECIFIED:

≤ 30 : ± 0.5 $30 \sim 400$: ± 1.2 ≥ 400 : ± 2.5 $\angle \pm 1^\circ$

Address: ST28 Xihu Road, Kunshan, Jiangsu Province, China
 TEL: +86 (512) 36872110

Web: www.glvac.com
 FAX: +86 (512) 36872122

Rev:00

Page: 1/1

Issue: 28-Feb-2022

E-mail: e-sales@glvac.cn
 Zip Code: 215333